



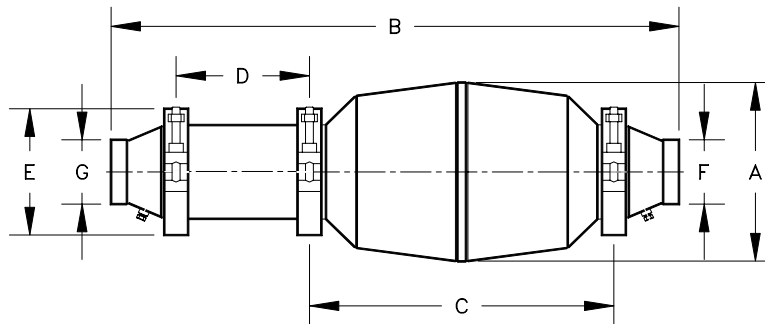
Head office address: 241 Bradwick Drive, Concord, Ontario, Canada L4K 1K5

Mailing address: P.O. Box 90, Concord, Ontario, Canada L4K 1B2

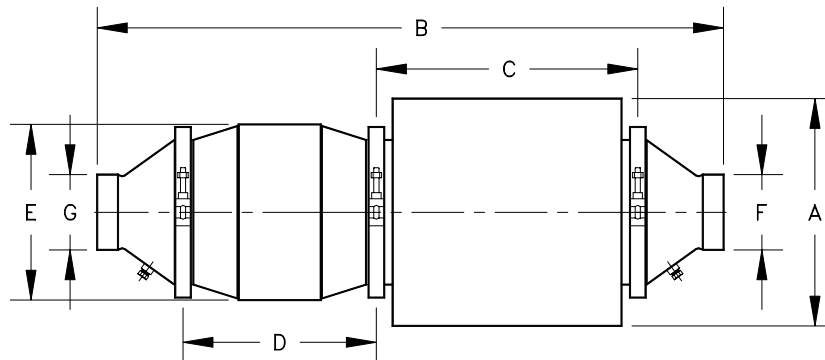
Tel: (905) 660-6450 Toll free: 1-800-872-1968 Fax: (905) 660-6435 E-mail: info@dcl-inc.com Website: www.dcl-inc.com

## MINE-X<sup>®</sup> SAM<sup>™</sup> MUFFLER DIMENSIONS

	DC4	DC5	DC6	DC7	DC8	DC10	DC12	DC14	DC16
A – muffler diameter in (mm)	5.95 (150)	7.35 (187)	8.72 (221)	9.43 (240)	10.73 (273)	11.00 (279)	11.00 (279)	12.50 (317)	14.50 (368)
B – overall length in (mm)	17.75 (449)	20.74 (527)	21.81 (554)	24.58 (625)	27.50 (699)	30.10 (766)	31.60 (802)	35.4 (900)	40.20 (1020)
C – length clamp- clamp (muffler) in (mm)	9.56 (243)	11.06 (281)	11.56 (294)	13.66 (347)	15.26 (388)	12.60 (319)	14.10 (357)	16.50 (418)	18.60 (471)
D – length clamp- clamp (purifier) in (mm)	4.20 (107)	4.20 (107)	4.20 (107)	4.20 (107)	4.20 (107)	9.30 (236)	9.30 (236)	10.70 (271)	13.4 (340)
E – clamp/purifier diameter in (mm)	4.22 (107)	5.25 (133)	6.25 (159)	7.25 (184)	8.25 (210)	8.50 (215)	10.20 (258)	11.40 (290)	14.40 (366)
F – outlet diameter in (mm)	CUSTOMER SPECIFIED								
G – inlet diameter in (mm)									



MINE-X<sup>®</sup> SAM<sup>™</sup> with Clamped Oxidation Purifier DC4 to DC8



MINE-X<sup>®</sup> SAM<sup>™</sup> with Clamped Oxidation Purifier DC10 to DC16

DCL's policy is that of continuous product improvement.

DCL reserves the right to change any information without notice.